



ABLOY® INDUSTRIAL LOCKS

High Security Solutions for
Equipment and Enclosures

CONTEN

4



LOCKING SOLUTIONS
FOR THE MOST
DEMANDING
APPLICATIONS

6



CUSTOMIZATION
THROUGH
UNIQUE CYLINDER
MECHANISM

8



VARIOUS
CYLINDER SYSTEMS
FOR DIFFERENT
SECURITY NEEDS

NT



10



THE RIGHT
PRODUCT
FOR EVERY
APPLICATION

ABLOY® CAM LOCKS	10
ABLOY® CABINET LOCKS	18
ABLOY® KEY-OPERATED SWITCH LOCKS	24
ABLOY® TIME DELAY LOCKS	26
ABLOY® SAFE DEPOSIT LOCKS	28
ABLOY® COIN OPERATED LOCKS	30

LOCKING SOLUTIONS FOR THE MOST DEMANDING APPLICATIONS

Whether you need to secure your assets and revenue or critical data and infrastructure, you can always rely on ABLOY locking solutions.

Our wide range of mechanical cam locks, cabinet locks and safe deposit locks together with custom made solutions and the latest electronic features offer a high security solution into any application. Industrial locks can be keyed into the same master key system with padlocks, door cylinders and other ABLOY locks, and thus all products can be operated with just a single key. This simplifies your locking system and key management.

The rotating disc cylinder technology, patented key systems, strict key control and superior masterkeying capabilities provide high security and functionality. With no springs or pins to wear, jam or freeze, the cylinder mechanism provides a smooth and reliable maintenance free functionality and maximum resistance to even hostile and severe environments.





CUSTOMIZATION THROUGH UNIQUE CYLINDER MECHANISM

*Does your application require a special lock?
We have been developing tailor made products
closely with our customers for decades.*

The unique ABLOY cylinder has been a symbol of high security and superior performance ever since its invention in 1907. The technology is based on the unique operating principle of rotating detainer discs which makes the cylinders bump proof and virtually pick proof.

While the core of the cylinder mechanism remains the same, the outer housing can be designed to meet the requirements of a multitude of applications, local standards and specific customer needs. Working closely with our customers allows us to develop customized products on many different levels. It may be a new configuration of the existing components or a completely new structure, for an existing system. The goal is always a cost-effective total solution, which gives a significant competitive advantage.

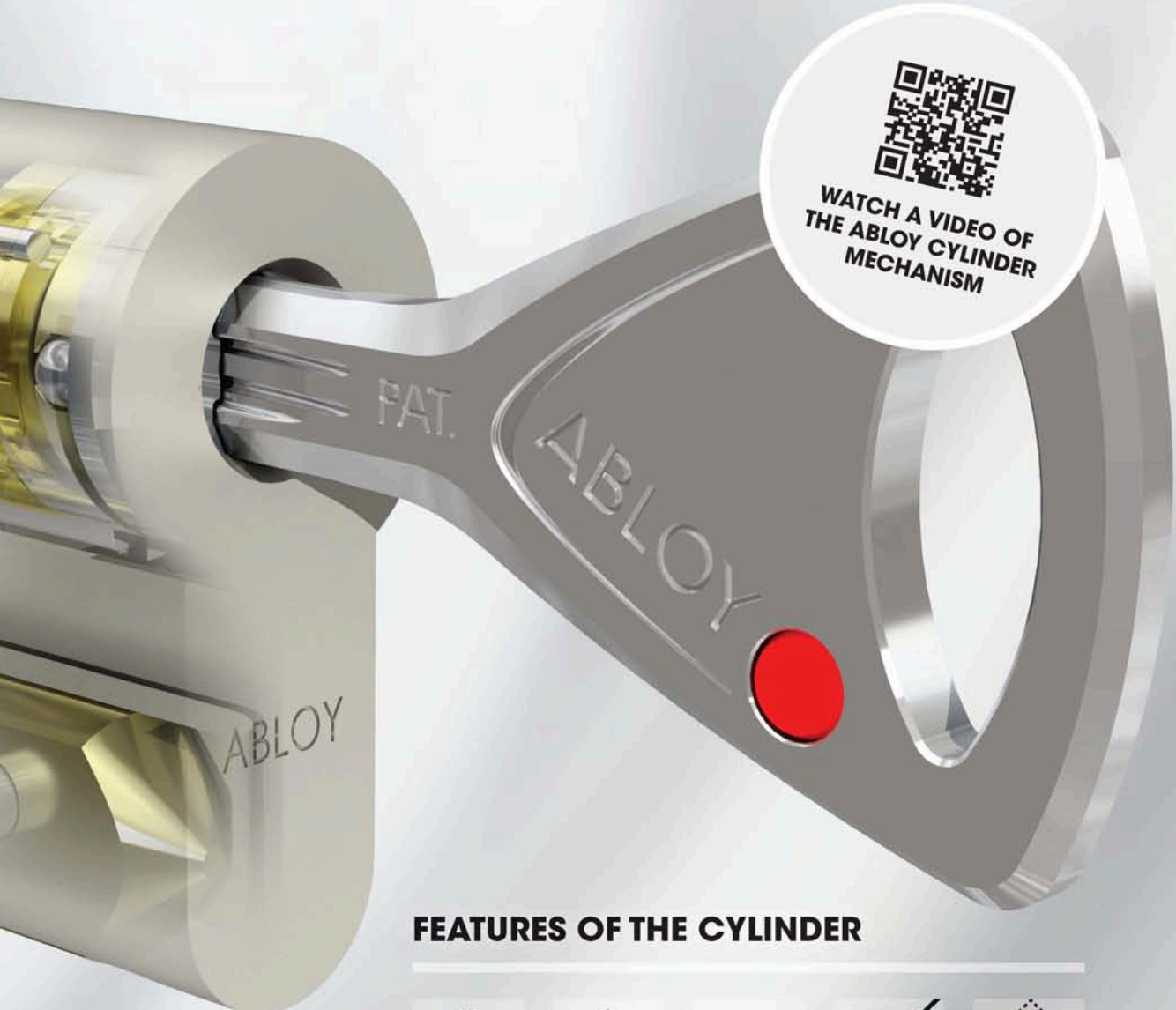
Over the years Original Equipment Manufacturers and Professional End Users around the world have enjoyed the benefits of this flexibility of design and manufacturing.



Customized Euro-profile cam lock
for utility cabinet swing handles



Customized solution for
ATM with a special pin



FEATURES OF THE CYLINDER

- 
ROTATING DISC TECHNOLOGY
- 
SUPERIOR MASTER KEYING FEATURES
- 
PATENTED KEY SYSTEM
- 
MANIPULATION PROTECTION
- 
TAILOR MADE



Special locking solutions for vehicles



User friendly locking for boat compartments

VARIOUS CYLINDER SYSTEMS FOR DIFFERENT SECURITY LEVELS



ABLOY® CLASSIC

A general level of keying. Recommended for individual locking, such as a drawer or mailbox. Secure, reliable cylinder when key control is not a priority.



PATENTED UNTIL
2027
WORLDWIDE

ABLOY® SENTRY

High security solution for industrial applications such as machines and devices. Duplication of keys is strictly controlled. Patented until 2027.

SECURITY LEVEL

MEDIUM

HIGH



SYSTEMS SECURITY NEEDS



PATENTI UNTIL
2027
WORLDWIDE

ABLOY® NOVEL

High security solution for public and private sector, whether it is a school, hospital, office or apartment. Duplication of keys is strictly controlled. Patented until 2027.

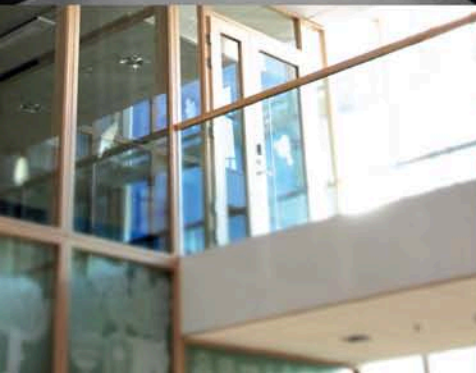
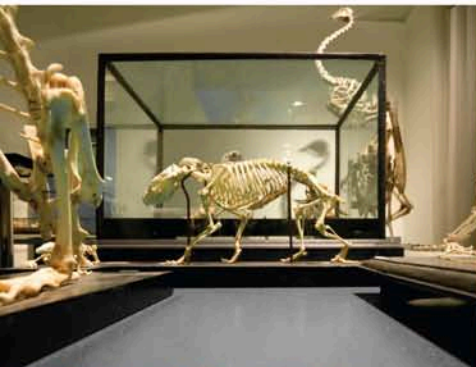


PATENTI UNTIL
2031
WORLDWIDE

ABLOY® PROTEC² ABLOY® PROTEC² CLIQ

The ultimate locking solution offers highest security for professional end users. The mechanical features can be further enhanced by integration of the intelligent electronic identification, CLIQ technology. Patented until 2031.

SUPERIOR





ABLOY® CAM LOCKS

ABLOY cam locks offer a solid locking solution for equipment and enclosures that require highest levels of security and functionality.

Cam locks are used in variety of applications from industrial enclosures in harsh outdoor weather conditions to high security indoor applications such as revenue collecting equipment for example ticketing and gaming machines. ABLOY cam locks are always made with full metal (brass or steel) housing, making them the most robust and durable option in the market.



**FULL METAL
HOUSING**



**BUMP PROOF
AND VIRTUALLY
PICK PROOF**



**DRILL
PROTECTION**



**ONE KEY
FITS ALL**



Banking, gaming and ticketing



Utility applications



Museums, retail and leisure

UNIVERSAL RANGE



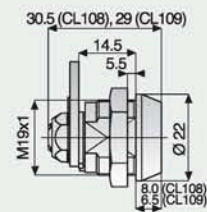
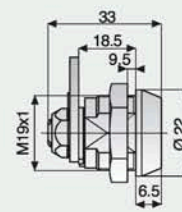
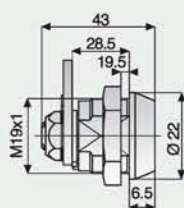
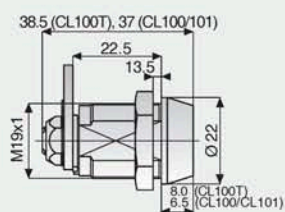
MODEL

	CL100	CL101	CL103	CL106	CL104	CL105	CL107	CL108	CL109
CAM TURNS: KEY REMOVABLE									
90°/180° IN LOCKED POSITION ONLY	X		X		X	X		X	X
360° IN LOCKED AND UNLOCKED POSITION		X		X			X		
MATERIAL OF CYLINDER HOUSING	BRASS	BRASS	BRASS	BRASS	BRASS	STEEL	BRASS	BRASS	BRASS
LEFT HAND OPERATION POSSIBLE	X		X		X	X		X	X
NUMBER OF DISCS	11	11	11	11	9	9	9	7	7

CYLINDER TYPE

ABLOY® CLASSIC	X	X	X	X	X	X	X		
ABLOY® SENTRY <u>PAT</u>	X	X	X	X	X	X	X		X
ABLOY® PROTEC <u>PAT</u>	X	X	X	X	X	X	X	X	
ABLOY® NOVEL <u>PAT</u>									
ABLOY® PROTEC ² <u>PAT</u>	X	X	X	X					
ABLOY® PROTEC ² CLIQ <u>PAT</u>			CLL130						

DIMENSIONS

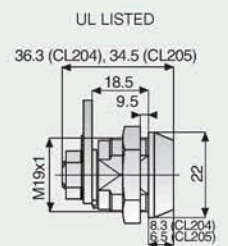
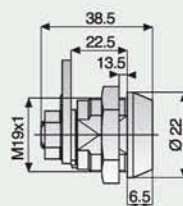
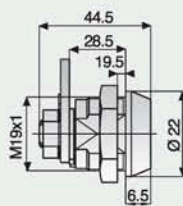
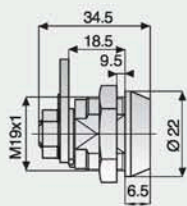
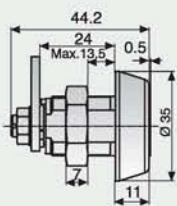


U.S. RANGE



CL110	CL200	CL201	CL202	CL203	CL204	CL205
X	X	X	X	X	X	X
STEEL	BRASS	STEEL	BRASS	BRASS	STEEL	STEEL
X	X	X	X	X	X	X
9	9	9	11	11	9	9

	X	X	X	X		X
X	X	X	X	X	X	
X	X	X	X	X	X	
			X			



Integration with electromechanical CLIQ technology.

ABLOY PROTEC² can be integrated with electronic CLIQ technology, which enables flexible and secure access management, including time functions. It lifts locking security to a whole new level.



ELECTRO-MECHANICAL PRODUCTS



DOUBLE SECURED ACCESS CONTROL



TIME AND CALENDAR BASED ACCESS RIGHT



AUDIT TRAIL



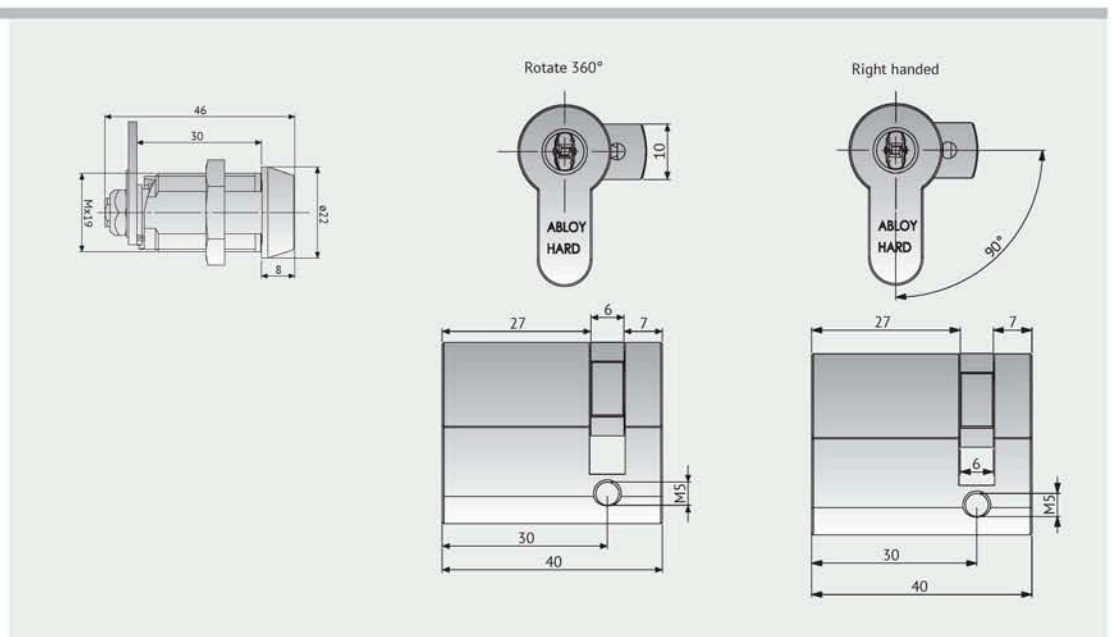
MODEL

	CLL130	CLL715	CLL718
CAM TURNS: KEY REMOVABLE			
90°/180° IN LOCKED POSITION ONLY	X	X	X
360° IN LOCKED AND UNLOCKED POSITION			
MATERIAL OF CYLINDER HOUSING	STEEL	STEEL	STEEL
LEFT HAND OPERATION POSSIBLE	X	X	X
NUMBER OF DISCS	9	9	9

CYLINDER TYPE

ABLOY® PROTEC2 CLIQ		X	X	X
---------------------	--	---	---	---

DIMENSIONS



ABLOY T-handle locks are ideal for vending machines and other locking handle applications.

Steel bolt provides maximum resistance against attack by pulling.



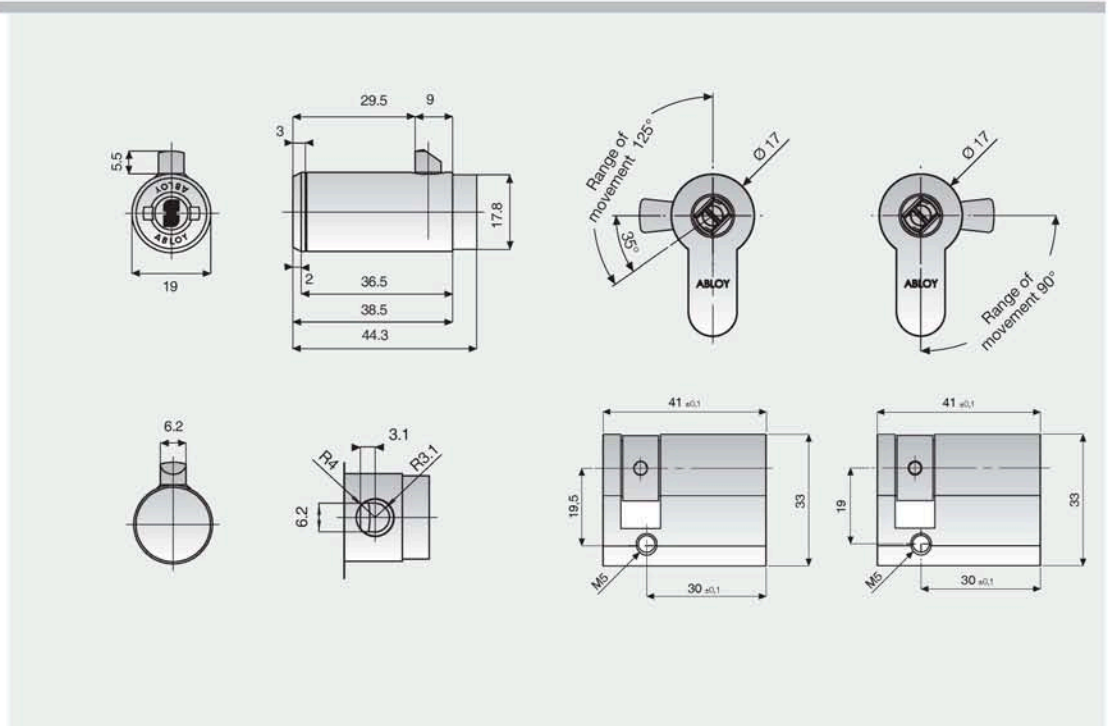
MODEL

	CL290	CL291	CL687	CL619
MATERIAL OF CYLINDER HOUSING	CHROME PLATED STEEL	CHROME PLATED STEEL	CHROME PLATED STEEL	CHROME PLATED STEEL
CYLINDER FACE	CASE-HARDENED CHROME PLATED STEEL	CASE-HARDENED CHROME PLATED STEEL	CASE-HARDENED CHROME PLATED STEEL	CASE-HARDENED CHROME PLATED STEEL
LATCH	NICKEL PLATED STEEL	NICKEL PLATED STEEL	NICKEL PLATED STEEL	NICKEL PLATED STEEL
NUMBER OF DISCS	9	9	11	11

CYLINDER TYPE

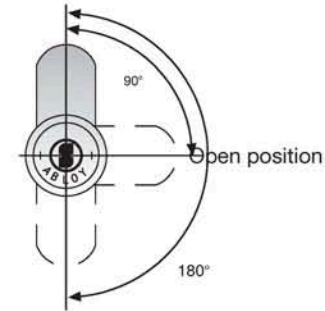
ABLOY® CLASSIC		X	X	X	X
ABLOY® SENTRY	<u>PAT</u>	X	X	X	X
ABLOY® PROTEC	<u>PAT</u>	X	X	X	X
ABLOY® NOVEL	<u>PAT</u>				
ABLOY® PROTEC ²	<u>PAT</u>			X	X

DIMENSIONS



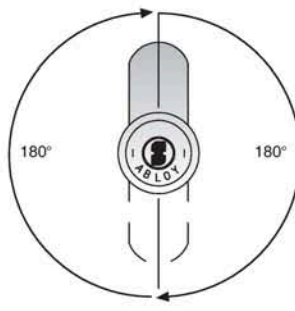
CAM TURNS

Locked position



Open position

Locked position



Open position

LOCK TYPES

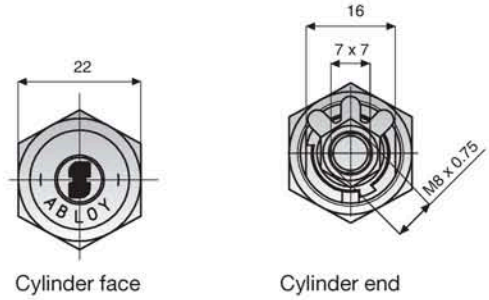
- CL100
- CL103
- CL104
- CL105
- CL108
- CL109
- CL110
- CL200
- CL201
- CL202
- CL203
- CL204
- CL205

LOCK TYPES

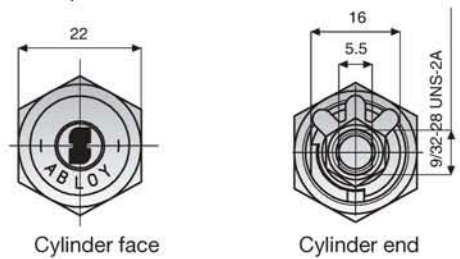
- CL101
- CL106
- CL107

UNIVERSAL AND U.S. SPECIFICATIONS

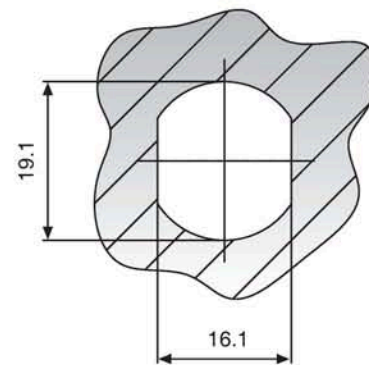
Universal specification



U.S. specification

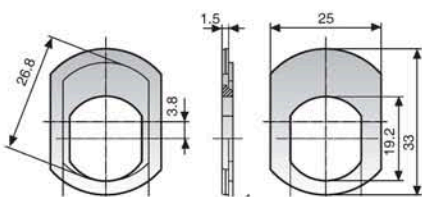


DIMENSIONS OF FITTING HOLE

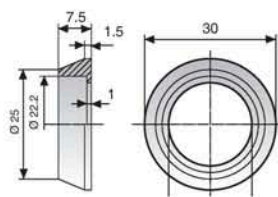


SPECIAL ACCESSORIES

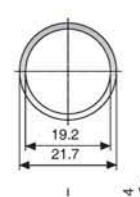
Special accessories are made of chrome plated steel.



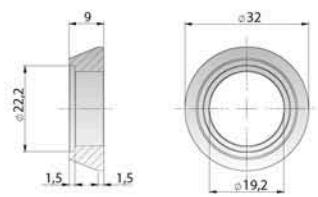
Fitting plate 441345



Protective collar 804757



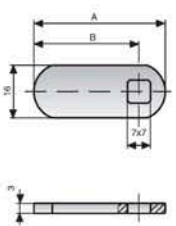
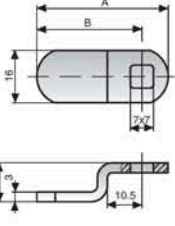
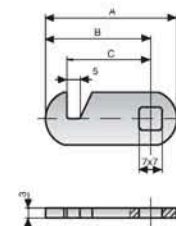
Lifting sleeve 804252



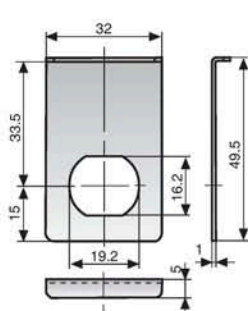
Lifting sleeve 812760

CAMS

For cam locks in the universal range, three different cam models available: straight, hooked and offset. Cams are made of nickel plated steel. Cams for the U.S. range of cam locks are available in the U.S. sales office.

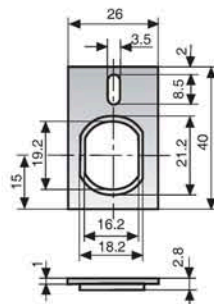
Straight cam	Part No.	A	B	Offset cam	Part. No.	A	B	C
	455608	26	18		455678	32	24	13.3
	434815	30.5	22.5		434959	33	25	26.5
	434869	33	25		455333	35	27	5
	455322	35	27		434928	35	27	6.5
	434609	38	30		455499	35	27	9.5
	434794	40	32		455525	35	27	10.5
	455556	45	37		434816	36	28	12
	455548	48	40		434799	36	28	22
	455494	53	45		455557	37	29	18.5
	455797	58	50		434766	38	30	15
	455606	68	60		434667	38	30	7
	455514	31	23	16.5	434702	40	32	19
	434605	32	24	17.5	434635	45	37	5
	455332	35	27	20.5	434700	45	37	8
	455492	42.5	34.5	28	434852	45	37	13.3
	434818	47.5	39.5	33	434757	48	40	19
	455780	58	50	43.5	434788	50	42	12.5
	455549	60.5	52.5	46	455461	61	53	18

FITTING PLATES



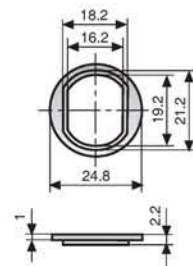
413807

- For use with plastic ring 4841003 in glass doors.
- Available also with brass finish, product number 413808
- Material: Chrome plated steel



455328

- Used inside of a wooden door to prevent the lock from rotating
- Fixed by screws through the upper holes of the plate
- Material: Zinc-plated steel



434613

- Used mostly as replacement for cam locks of universal specifications
- Normally used on both sides of the mounting hole
- Material: Zinc-plated steel

ABLOY® CABINET LOCKS

The comprehensive ABLOY cabinet lock product range with versatile adjusting options offers endless possibilities for secure, functional, aesthetic locking solution.

Cabinet locks are used in variety of applications from high security indoor applications such as retail and museum fixtures to industrial enclosures in harsh outdoor weather conditions. ABLOY cabinet locks have a uniform, exquisite design which meet the quality and design requirements of our customers.



**ELECTRO-
MECHANICAL
PRODUCTS**



**FULL METAL
HOUSING**



**BUMP PROOF
AND VIRTUALLY
PICK PROOF**



**ONE KEY
FITS ALL**



Museum and retail



Offices



Healthcare

ABLOY® CABINET LOCKS



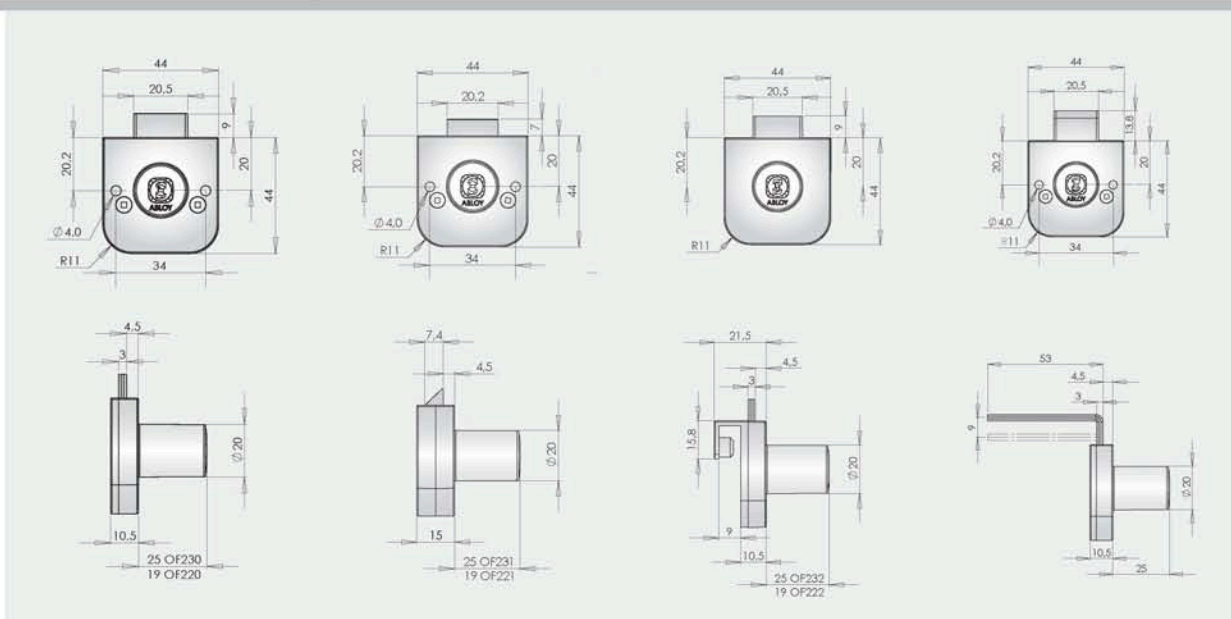
MODEL

	OF230	OF220	OF231	OF221	OF232	OF222	OF234
NUMBER OF DISCS	11	7	11	7	11	7	11
BOLT MATERIAL	NICKEL PLATED STEEL		BRASS		NICKEL PLATED STEEL		NICKEL PLATED STEEL
TYPE OF BOLT	FLAT		SPRING LATCH		FLAT		FLAT
MAX. INST. THICKNESS	25 mm	19 mm	25 mm	19 mm	8 mm	8 mm	25 mm
FINISHING	CHROME PLATED ZINC		CHROME PLATED ZINC		CHROME PLATED ZINC		CHROME PLATED ZINC
TYPE OF THE DOOR	SWING DOOR, DRAWER		SWING DOOR, DRAWER		SWING DOOR		DRAWER

CYLINDER

ABLOY® CLASSIC	X	X	X	X	X	X	X
ABLOY® SENTRY <u>PAT</u>	X	X	X	X	X	X	X
ABLOY® PROTEC <u>PAT</u>	X		X		X		X
ABLOY® NOVEL <u>PAT</u>	X						
ABLOY® PROTEC ² <u>PAT</u>	X		X				
ABLOY® PROTEC ² CLIQ <u>PAT</u>	OFL240		OFL241				OFL244

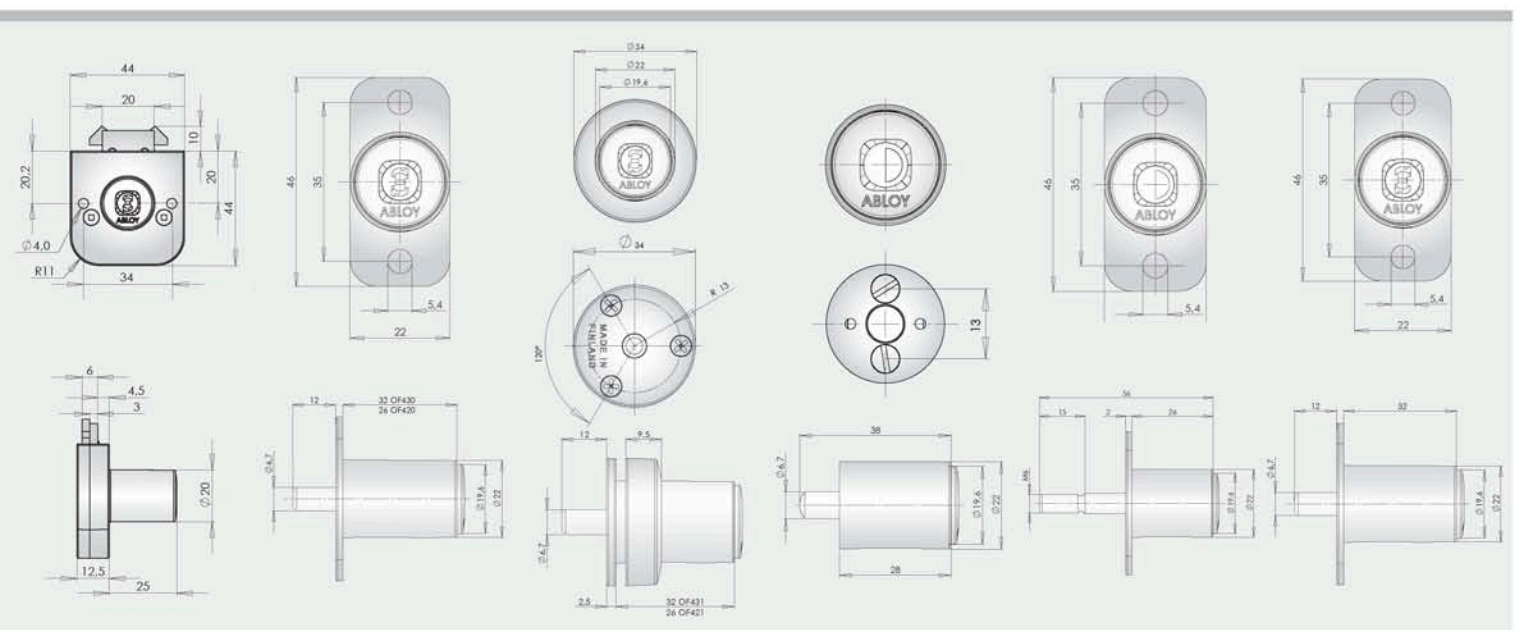
DIMENSIONS





OF235	OF430	OF420	OF431	OF421	OF423	OF424	OF433
11	11	7	11	7	11	7	11
NICKEL PLATED STEEL	STAINLESS STEEL		STAINLESS STEEL		STAINLESS STEEL	STAINLESS STEEL	STAINLESS STEEL
DOUBLE HOOK							
25 mm	32 mm	26 mm	2-9 mm	2-9 mm	28 mm	25 mm	32 mm
CHROME PLATED ZINC	CHROME PLATED ZINC		CHROME PLATED ZINC		SATIN CHROME PLATED ZINC/ SATIN CHROME PLATED BRASS	CHROME PLATED ZINC	CHROME PLATED ZINC
SLIDING DOOR, SWING DOOR	SLIDING DOOR		SLIDING DOOR		SLIDING DOOR	SLIDING DOOR	SLIDING DOOR

X	X	X	X	X	X	X	
X	X	X	X	X	X	X	
X	X	X	X	X			X
	X		X				X
OFL245	OFL430						



Integration with electromechanical CLIQ technology.

ABLOY PROTEC² can be integrated with electronic CLIQ technology, which enables flexible and secure access management, including time functions. It lifts locking security to a whole new level.



ELECTRO-MECHANICAL PRODUCTS



DOUBLE SECURED ACCESS CONTROL



TIME AND CALENDAR BASED ACCESS RIGHT



AUDIT TRAIL



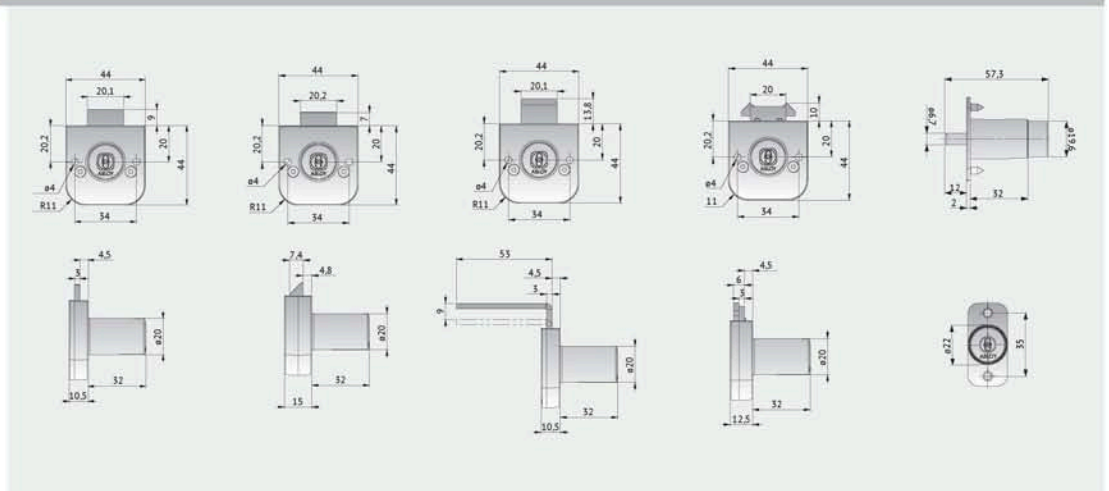
MODEL

	OFL240	OFL241	OFL244	OFL245	OFL430
NUMBER OF DISC	11	11	11	11	11
BOLT MATERIAL	NICKEL PLATED STEEL	BRASS	NICKEL PLATED STEEL	NICKEL PLATED STEEL	STAINLESS STEEL
TYPE OF BOLT	FLAT	SPRING LATCH	FLAT	DOUBLE HOOK	
MAX. INST. THICKNESS	25 mm	25 mm	25 mm	25 mm	32 mm
FINISHING	CHROME PLATED ZINC	CHROME PLATED ZINC	CHROME PLATED ZINC	CHROME PLATED ZINC	CHROME PLATED ZINC
TYPE OF THE DOOR	SWING DOOR, DRAWER	SWING DOOR, DRAWER	DRAWER	SWING DOOR	SWING DOOR

CYLINDER

ABLOY® PROTEC ² CLIQ	PAT				
		X	X	X	X

DIMENSIONS

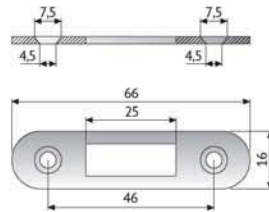


STRIKER PLATES

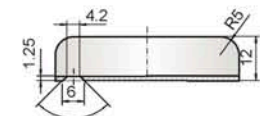
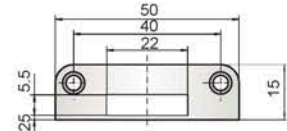
802330



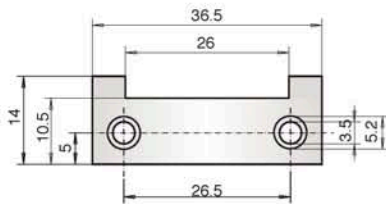
Material: Nickel plated steel



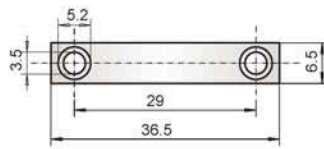
802330



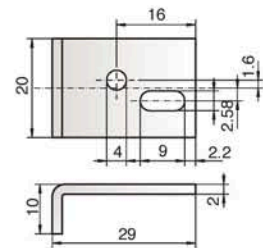
434987



434981



434980

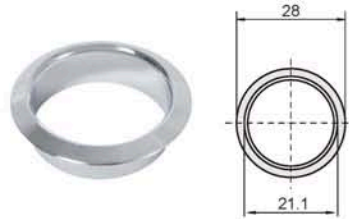


455365

ESCUTCHEON RING



401746 Chrome plated brass
Used with 22 mm diameter
products, length 8 mm

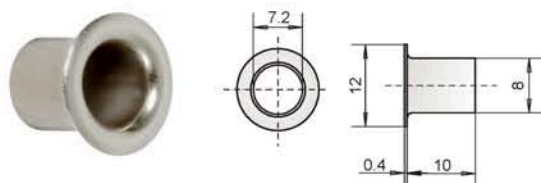


413529 Chrome plated brass
Used with 20 mm diameter
products, length 8 mm



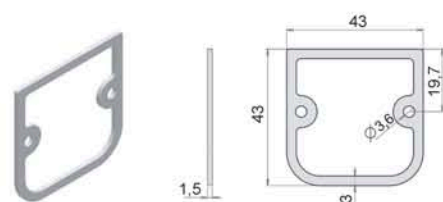
413571 Chrome plated brass
Used with 20 mm diameter
products, length 18 mm

KEEP 401930



Material: Nickel plated brass

LIFTING PLATE 814639



Plastic, 10 pcs./packing



Industrial and commercial applications

ABLOY® KEY-OPERATED SWITCH LOCKS

ABLOY key-operated switch locks offer a solid locking solution for burglar alarms, control boxes and other high security applications.

Switch locks are used in variety of applications where on-off switch function is required. They have same uniform design, are available with CLASSIC, SENTRY and PROTEC key systems and can be keyed with other ABLOY cam and cabinet locks.



ELECTRO-
MECHANICAL
PRODUCTS



FULL METAL
HOUSING



BUMP PROOF
AND VIRTUALLY
PICK PROOF



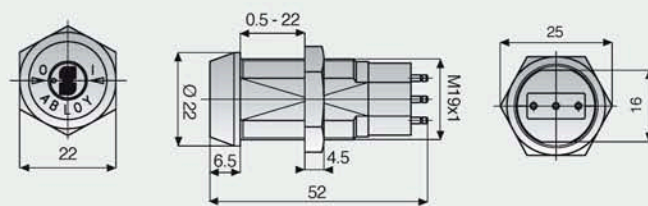
MODEL

	EP400	EP401	EP402
MATERIAL OF CYLINDER HOUSING	CHROME PLATED STEEL	CHROME PLATED STEEL	CHROME PLATED STEEL
CYLINDER FACE	CASE-HARDENED CHROME PLATED STEEL	CASE-HARDENED CHROME PLATED STEEL	CASE-HARDENED CHROME PLATED STEEL
LATCH	NICKEL PLATED STEEL	NICKEL PLATED STEEL	NICKEL PLATED STEEL
NUMBER OF DISCS	11	11	11

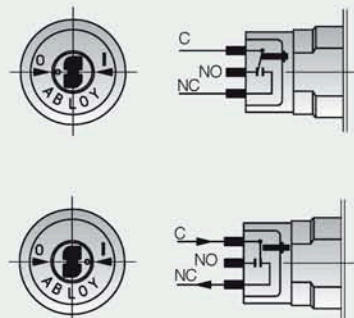
CYLINDER TYPE

ABLOY® CLASSIC		X	X	X
ABLOY® SENTRY <u>PAT</u>		X	X	X
ABLOY® PROTEC <u>PAT</u>		X	X	X
ABLOY® PROTEC ² <u>PAT</u>		X	X	X

DIMENSIONS



Circuit diagram



C = common
 NO = normally open
 NC = normally closed

Retail and banking

ABLOY® TIME DELAY LOCKS

ABLOY time delay locks offer time protection in businesses that deal with money and valuables.

Time delay locks are used in variety of applications such as cash boxes, safes, connection boxes and gaming machines. EP310 is designed for applications that requires high security locking with time protection. EP312 offers mechanical key security combined with electrical control to prevent unauthorised use of the key. Locks are available with CLASSIC and SENTRY key systems and can be keyed with other ABLOY cam and cabinet locks.



ELECTRO-
MECHANICAL
PRODUCTS



FULL METAL
HOUSING



BUMP PROOF
AND VIRTUALLY
PICK PROOF

● 2766

● 2767

Safe deposits, high security applications

ABLOY® SAFE DEPOSIT LOCKS

ABLOY safe deposit locks offer a solid locking solution for banks and other operators that require highest levels of security and functionality.

ABLOY safe deposit locks are equipped with deadbolt latches and ABLOY patented rotating disc technology cylinders. Virtually pick proof, these locks set the industry standard for securing you and your customers' most valuable content and assets. Available with single cylinder or two mechanically operated cylinders.



FULL METAL
HOUSING



BUMP PROOF
AND VIRTUALLY
PICK PROOF



MODEL

SC210

SC211

NUMBER OF DISCS

9

9

CYLINDER TYPE

ABLOY® CLASSIC

X

X

ABLOY® SENTRY

PAT

X

X

ABLOY® PROTEC

PAT

X

X

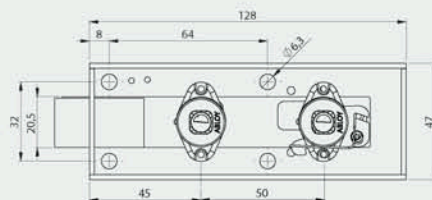
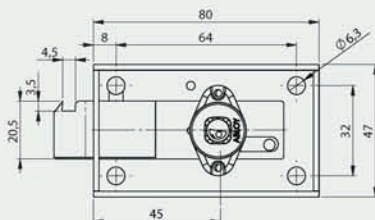
ABLOY® NOVEL

PAT

ABLOY® PROTEC²

PAT

DIMENSIONS



Lockers

ABLOY® COIN OPERATED LOCKS

ABLOY coin operated locks offer a secure, functional and durable locking solution for safekeeping.

Coin operated locks are used in variety of applications such as lockers, storage boxes and cabinets. Locks have several different coin identifiers and are available with coin trays and coin boxes. Equipped with deadbolt latches and reliable ABLOY patented rotating disc technology cylinders, they meet the industry standards for securing valuables.



FULL METAL HOUSING



BUMP PROOF AND VIRTUALLY PICK PROOF



MODEL

MODEL	SC410 (800595)	SC411 (800595)	SC412 (800595)	SC413 (800595)	SC410 (SC414)	SC411 (SC414)	SC412 (SC414)	SC413 (SC414)
MAX. DOOR THICKNESS (A)	14,5 mm	18 mm	14,5 mm	18 mm	14,5 mm	18 mm	14,5 mm	18 mm
HANDING	RIGHT	RIGHT	LEFT	LEFT	RIGHT	RIGHT	LEFT	LEFT
NUMBER OF DISCS	9	11	9	11	9/7	11/7	9/7	11/7

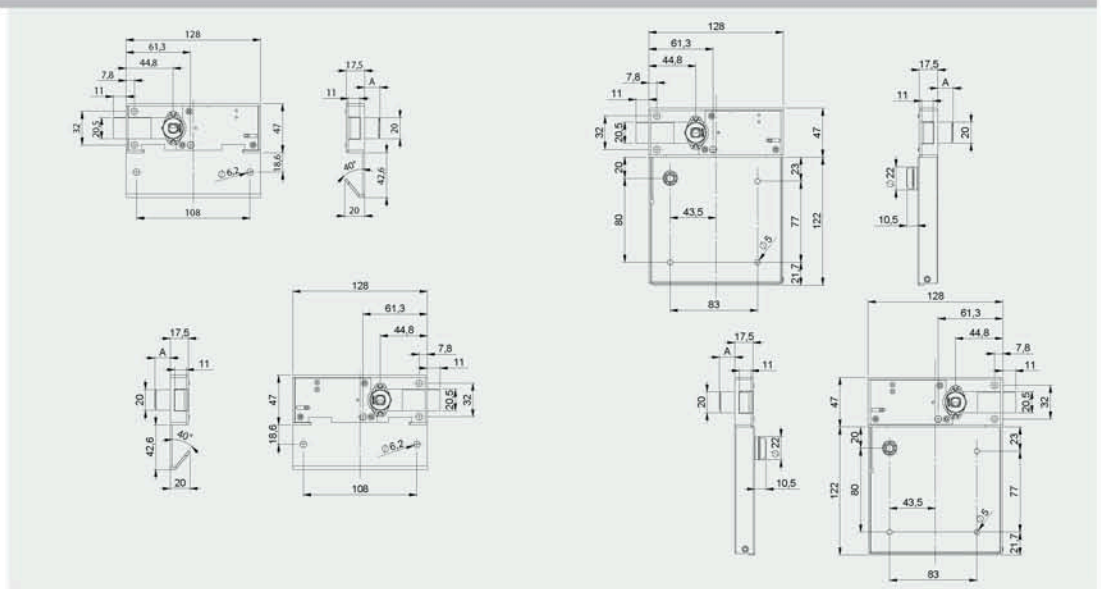
COIN RETURN

RETURNED	X	X	X	X				
RETAINED					X	X	X	X

CYLINDER TYPE

ABLOY® CLASSIC		X	X	X	X	X(X)	X(X)	X(X)	X(X)
ABLOY® SENTRY	<u>PAT</u>	X	X	X	X	X(-)	X(-)	X(-)	X(-)
ABLOY® PROTEC	<u>PAT</u>	X	X	X	X	X(-)	X(-)	X(-)	X(-)
ABLOY® NOVEL	<u>PAT</u>								
ABLOY® PROTEC ²	<u>PAT</u>								

DIMENSIONS



ABLOY HAS A KEY ROLE IN WORLDWIDE SECURITY

ABLOY products are result of continuous R & D, testing and our ability to understand and solve customers' security related challenges. Our continuing mission is to help people feel safer and more secure, without compromising the freedom in their lives.

The world-wide network of Abloy Oy's sales units and distributors provide the best local service and expertise. Our distributors are trained to help you design secure master key systems and key control solutions, assisting you select the right products for your application and help you understand the latest trends and needs in physical security.

All ABLOY cylinder products are designed and manufactured in Finland.



ABLOY secures people, property and business operations on land, at sea, and in the air – in all circumstances.

ASSA ABLOY is the global leader in door opening solutions, dedicated to satisfying end-user needs for security, safety and convenience.

MANUFACTURER:

Abloy Oy
Wahlforssinkatu 20
P.O. Box 108
FI-80101 Joensuu | Finland
Tel. +358 20 599 2501
WWW.ABLOY.COM

